

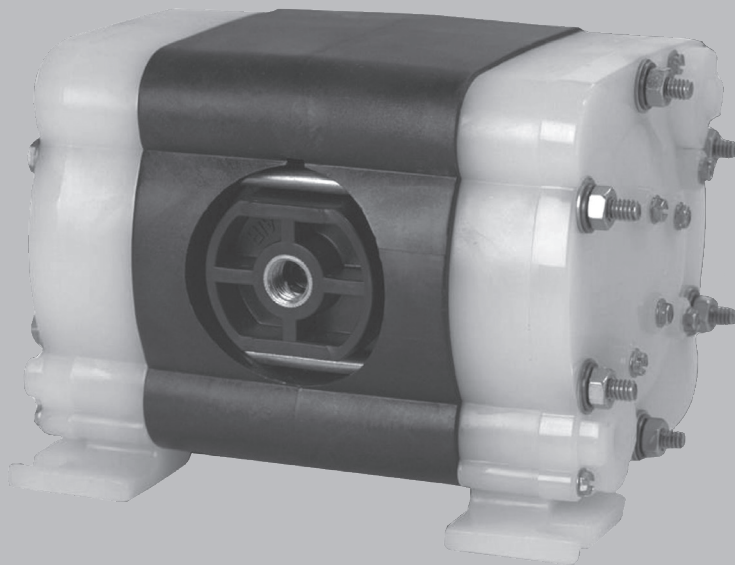
# IOM

INSTALLATION OPERATION  
& MAINTENANCE

# A025-SQ

PLASTIC 1/4 INCH

AIR-OPERATED DOUBLE-DIAPHRAGM PUMP



# TABLE OF CONTENTS

|            |                                |       |
|------------|--------------------------------|-------|
| SECTION 1  | WARNINGS, DANGERS AND CAUTIONS | 3     |
| SECTION 2  | MODEL DESIGNATION MATRIX       | 4     |
| SECTION 3  | PRINCIPLES OF OPERATION        | 5     |
| SECTION 4  | DIMENSIONAL DRAWINGS           | 6     |
| SECTION 5  | PERFORMANCE CURVES             |       |
|            | TPE AND PTFE DIAPHRAGMS.....   | 7     |
| SECTION 6  | INSTALLATION,                  |       |
|            | INSTALLATION .....             | 8-9   |
|            | TROUBLESHOOTING .....          | 10    |
|            | OPERATION .....                | 11    |
|            | MAINTENANCE .....              | 11    |
| SECTION 7  | REPAIR AND ASSEMBLY            |       |
|            | PUMP WET END REMOVAL.....      | 12-13 |
|            | AIR VALVE REMOVAL .....        | 14-15 |
|            | TORQUE SPECIFICATIONS.....     | 15    |
| SECTION 8  | EXPLODED VIEWS AND PARTS LISTS | 16-18 |
| SECTION 9  | ELASTOMERS AND REPAIR KITS     | 19    |
| SECTION 10 | WARRANTY AND REGISTRATION      | 20    |

# CAUTIONS — READ FIRST!

READ THESE WARNINGS AND SAFETY PRECAUTIONS PRIOR TO INSTALLATION OR OPERATION. FAILURE TO COMPLY WITH THESE INSTRUCTIONS COULD RESULT IN PERSONAL INJURY AND OR PROPERTY DAMAGE. RETAIN THESE INSTRUCTIONS FOR FUTURE REFERENCE.

**⚠ WARNING** Pump, valves and all containers must be properly grounded prior to handling flammable fluids and/or whenever static electricity is a hazard.

**⚠ WARNING** Prior to servicing the pump, ensure that the air and fluid lines are closed and disconnected. While wearing personal protective equipment, flush, drain and process liquid from the pump in a safe manner.

**⚠ WARNING** The TX marking refers to the maximum surface temperature depending not on the equipment itself, but mainly on operating conditions. In this case, the maximum surface temperature depends upon the temperature of the process fluids.

**⚠ CAUTION** The temperature of the process fluid and air input must be no more than 36°F (20C) less of the maximum temperature allowed for the appropriate non-metallic material. See the list of temperatures below for each material's maximum recommended temperature:

|                   |                                 |
|-------------------|---------------------------------|
| Buna-N (Nitrile): | 10°F to 180°F (-12°C to 82°C)   |
| Geolast®:         | 10°F to 180°F (-12°C to 82°C)   |
| EPDM:             | -40°F to 280°F (-40°C to 138°C) |
| Santoprene®:      | -40°F to 225°F (-40°C to 107°C) |
| FKM:              | -40°F to 350°F (-40°C to 177°C) |
| PTFE:             | 40°F to 220°F (4°C to 104°C)    |
| Polyethylene:     | 32°F to 158°F (0°C to 70°C)     |
| Polypropylene:    | 32°F to 180°F (0°C to 82°C)     |
| PVDF:             | 0°F to 250°F (-18°C to 121°C)   |
| Nylon:            | 0°F to 200°F (-18°C to 93°C)    |

Temperature limits are solely based upon mechanical stress and certain chemicals will reduce the maximum operating temperature. The allowable temperature range for the process fluid is determined by the materials in contact with the fluid being pumped. Consult a chemical resistance guide for chemical compatibility and a more precise safe temperature limit. Always use minimum air pressure when pumping at elevated temperatures.

**⚠ CAUTION** Do not lubricate air supply.

**⚠ WARNING** = Hazards or unsafe practices which could result in severe personal injury, death or substantial property damage

**⚠ CAUTION** = Hazards or unsafe practices which could result in minor personal injury, product or property damage.

**⚠ CAUTION** Do not connect a compressed air source to the exhaust port of the pump.

**⚠ WARNING** Use only with liquid process fluid.

**⚠ WARNING** Maintenance must not be performed when a hazardous atmosphere is present.

**⚠ CAUTION** Do not exceed 120 psig (8.3 bar) air-inlet pressure.

**⚠ CAUTION** Do not exceed 10 psig (0.7 bar) or 23 ft-H<sub>2</sub>O suction pressure.

**⚠ CAUTION** Ensure all wetted components are chemically compatible with the process fluid and the cleaning fluid.

**⚠ CAUTION** Ensure pump is thoroughly cleaned and flushed prior to installation into a process line.

**⚠ CAUTION** Always wear Personal Protective Equipment (PPE) when operating pump.

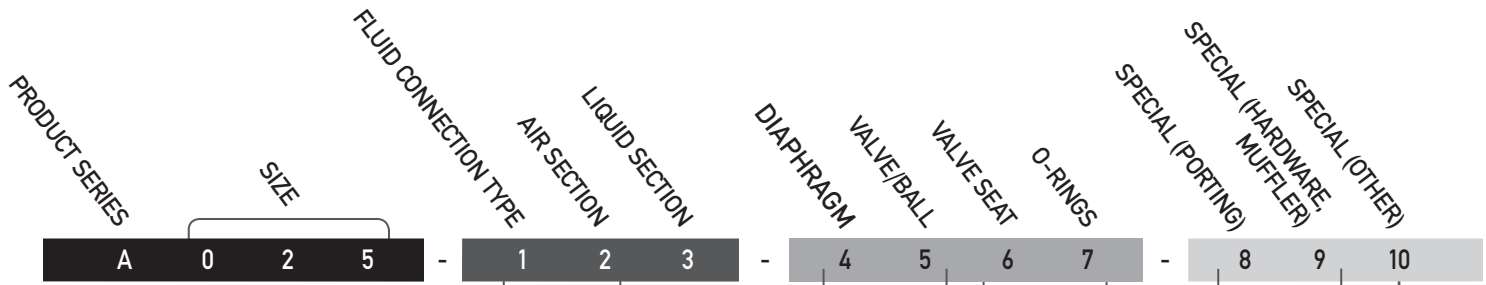
**⚠ CAUTION** Close and disconnect all compressed air and bleed all air from the pump prior to service. Remove all process fluid in a safe manner prior to service.

**⚠ CAUTION** Blow out all compressed air lines in order to remove any debris, prior to pump installation. Ensure that the muffler is properly installed prior to pump operation.

**⚠ CAUTION** Ensure air exhaust is piped to atmosphere prior to a submerged installation.

**⚠ CAUTION** Ensure all hardware is set to correct torque values prior to operation.

# MODEL DESIGNATION MATRIX & REPAIR KITS-BOX PLASTIC



- 1 FLUID CONNECTION TYPE**  
S = NPS (NPT/BSP)  
2 = Dual Suction / Dual Discharge (NPT/BSP)
- 2 AIR SECTION**  
Q = Polypropylene Intermediate-Mechanical Shift
- 3 LIQUID SECTION**  
K = PVDF  
P = Polypropylene  
Y = Conductive Nylon
- 4 DIAPHRAGMS**  
G = Geolast®  
S = Santoprene®  
T = PTFE
- 5 VALVE/BALL**  
T = PTFE

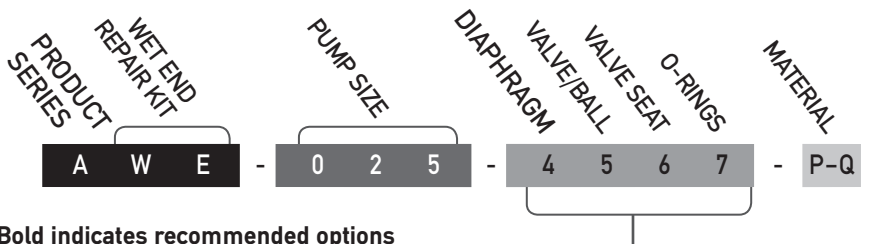
- 6 VALVE SEAT**  
K = PVDF  
P = Polypropylene  
Y = Conductive Nylon
- 7 O-RINGS**  
E = EPDM  
N = Buna-N  
T = PTFE  
V = FKM
- 8 PORTING**  
Y = Default (Suction Left / Discharge Left)  
S = Suction Right/ Discharge Right

- 9 SPECIAL OPTION (HARDWARE, MUFFLER, LUG)**  
7 = Stainless Steel Hardware, Standard Muffler  
8 = Stainless Steel Hardware, Premium Muffler  
B = PTFE Coated Stainless Steel Hardware, Standard Muffler  
C = PTFE Coated Stainless Steel Hardware, Premium Muffler  
F = Stainless Steel Hardware, Standard Muffler, Grounding Lug Installed  
G = Stainless Steel Hardware, Premium Muffler, Grounding Lug Installed  
H = PTFE Coated Stainless Steel Hardware, Standard Muffler, Grounding Lug Installed  
I = PTFE Coated Stainless Steel Hardware, Premium Muffler, Grounding Lug Installed  
Note: Equipment must be grounded to achieve ATEX rating it is recommended to configure the pump with a grounding lug option for ATEX applications.

- 10 SPECIAL OPTION (OTHER)**  
0 = Standard  
1 = Cycle Counter Valve  
2 = Solenoid Adaptor Valve 110/50 Volt AC, 120/60 Volt AC  
3 = Solenoid Adaptor Valve 110/50 Volt AC, 120/60 Volt AC Explosion Proof  
4 = Solenoid Adaptor Valve 220/50 Volt AC, 240/60 Volt AC, 12 Volt DC  
5 = Solenoid Adaptor Valve 220/50 Volt AC, 240/60 Volt AC, 12 Volt DC Explosion Proof  
6 = Solenoid Adaptor Valve 220/50 Volt AC, 240/60 Volt AC, 125 Volt DC  
7 = Solenoid Adaptor Valve 220/50 Volt AC, 240/60 Volt AC, 125 Volt DC Explosion Proof  
8 = Solenoid Adaptor Valve 24 Volt DC  
9 = Solenoid Adaptor Valve 24 Volt DC, Explosion Proof  
A = Grease Free (No lubrication assembly)

## WET END REPAIR KIT

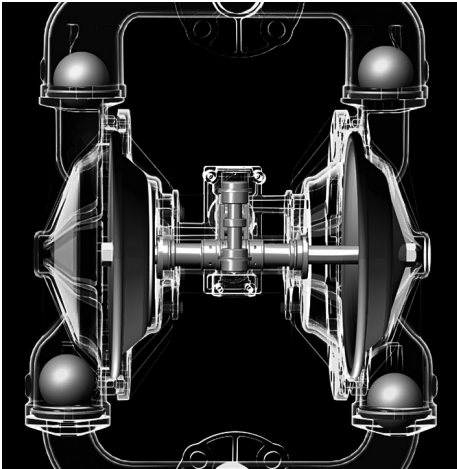
Wet end kits are available and consist of diaphragms, (back-up diaphragms if required), balls, seats and seat O-Rings. See matrix below.



**Bold indicates recommended options**

# PRINCIPLES OF OPERATION

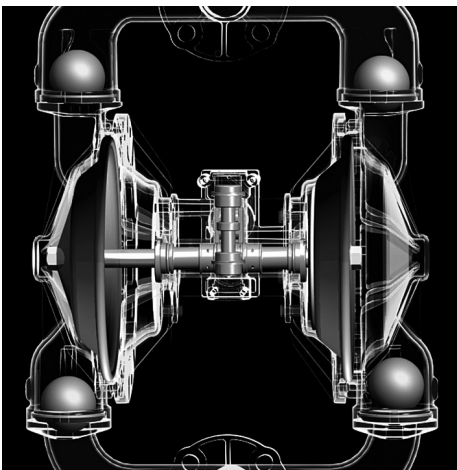
## HOW AN AIR OPERATED DOUBLE DIAPHRAGM PUMP WORKS



The air-valve directs pressurized air behind the diaphragm on the right, causing the diaphragm on the right to move outward (to the right).

Since both the right diaphragm and the left diaphragm are connected via a diaphragm rod, when the right diaphragm moves to the right, the left diaphragm (through the action of the diaphragm rod) moves to the right also.

When the diaphragm on the left side is moving to the right, it is referred to as suction stroke. When the left diaphragm is in its suction stroke, the left suction ball moves upward (opens) and the left discharge ball moves downward (closes). This action creates suction and draws liquid into the left side chamber.



The air-valve directs pressurized air behind the left diaphragm, causing the left diaphragm to move outward (to the left).

Since both the left diaphragm and the right diaphragm are connected via a diaphragm rod, when the left diaphragm moves to the left, the right diaphragm (through the action of the diaphragm rod) moves to the left also.

When the diaphragm on the left side moves outward, the left discharge ball moves upward (opens) and the left suction ball moves downward (closes). This causes the liquid to leave the left side liquid outlet of the pump.

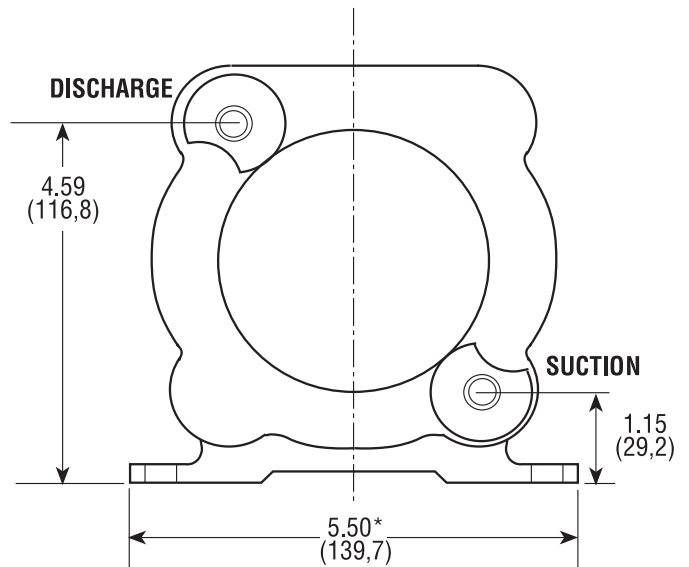
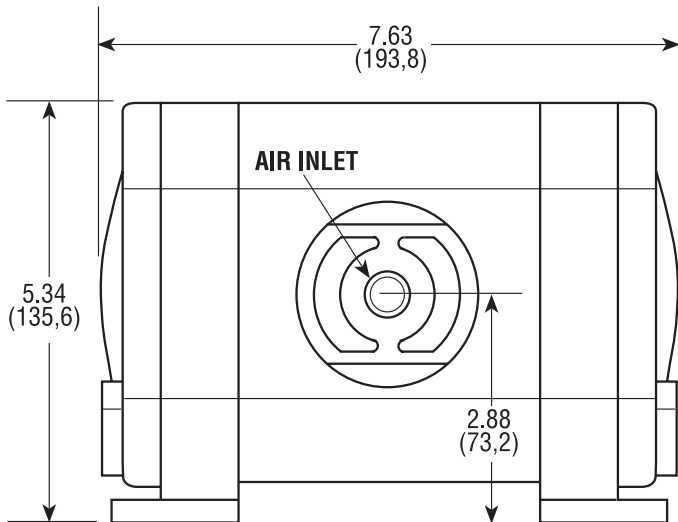
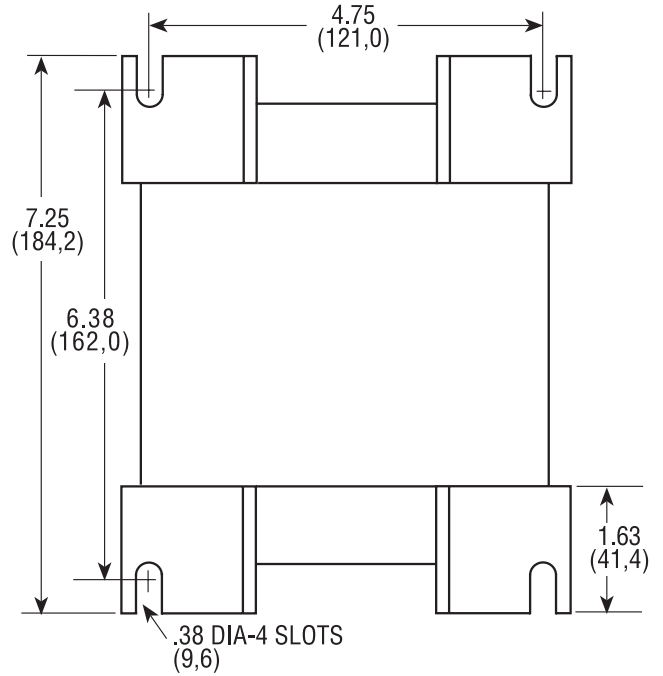
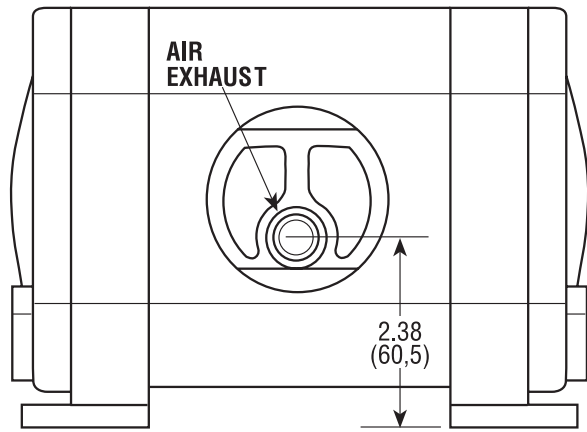
Simultaneously, the right diaphragm moves inward (to the left), which causes the right suction ball to open and the right discharge to close, which in turn causes suction, drawing liquid into the right chamber.

The process of alternating right suction / left discharge (and vice-versa) continues as long as compressed air is supplied to the pump.

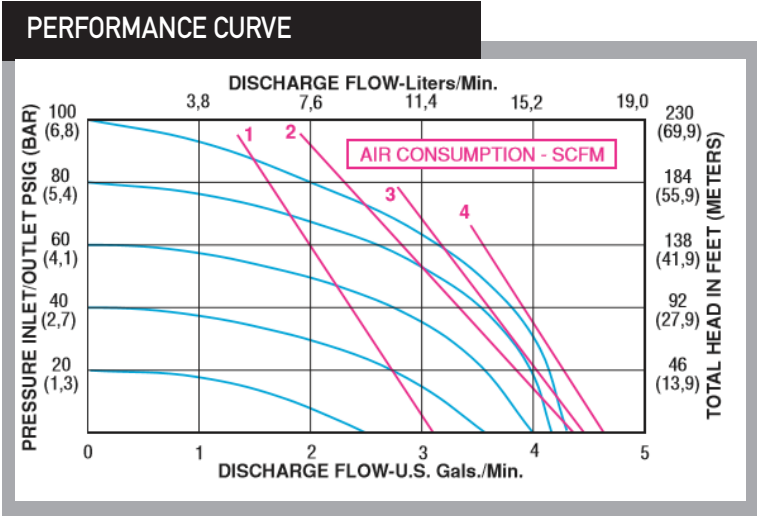
Note: The graphics show a typical diaphragm pump operation. This box pump model uses cone valves and a mechanical shift air valve to produce a similar cycle for these pump models.

# 1/4" PUMP DIMENSIONS

## BOX PLASTIC



# PERFORMANCE CURVES



**Performance Specifications**

|                                 |   |
|---------------------------------|---|
| Max. Flow:                      | 4.3 gpm (16.3 lpm)                              |
| Max. Air Pressure:              | 100 psi (6.8 bar)                               |
| Max. Solids:                    | 1/16" (1.6 mm)                                  |
| Max. Suction Lift Dry:          | 10 ft-H <sub>2</sub> O (3.0 m-H <sub>2</sub> O) |
| Max. Suction Lift Wet:          | 26 ft-H <sub>2</sub> O (7.9 m-H <sub>2</sub> O) |
| Weight Polypropylene:           | 5 lbs (2.3 kg)                                  |
| Weight PVDF & Conductive Nylon: | 7 lbs (3.2 kg)                                  |
| Air Inlet:                      | 1/4" FNPT                                       |
| Liquid Inlet FNPT/FBSPT:        | 1/4"  |
| Liquid Outlet FNPT/FBSPT:       | 1/4"  |
| Height:                         | 5.34" (135.64 mm)                               |
| Width:                          | 7.50" (190.5 mm)                                |
| Depth:                          | 5.5" (139.70 mm)                                |

\*Flow rates indicated on the chart(s) shown were determined by pumping water at flooded suction. For optimum life and performance, pumps should be specified so that daily operation parameters will fall in the center of the pump performance curve.

# INSTALLATION, TROUBLESHOOTING AND MAINTENANCE

## INSTALLATION PIPING

Whenever possible ensure the pump is installed using the shortest possible pipe lengths with the minimum amount of pipe fittings. Ensure all piping is supported independent of the pump.

Suction and discharge piping should not be smaller than the connection size of the pump. When pumping liquids of high viscosity, larger piping may be used, in order to reduce frictional pipe loss.

Employ flexible hoses in order to eliminate the vibration caused by the pump. Mounting feet can also be used to reduce vibration effects.

All hoses should be reinforced, non-collapsible and be capable of high vacuum service. Ensure that all piping and hoses are chemically compatible with the process and cleaning fluid.

For processes where pulsation effects should be reduced, employ a pulsation dampener on the discharge side of the pump.

For self-priming applications, ensure all connections are airtight and the application is within the pumps dry-lift capability. Refer to product specifications for further details.

For flooded suction applications, install a gate valve on the suction piping in order to facilitate service.

For unattended flooded suction operation, it is recommended to pipe the exhaust air above the liquid source. In the event of a diaphragm failure this will reduce or eliminate the possibility of liquid discharging through the exhaust onto the ground.

## LOCATION

Ensure that the pump is installed in an accessible location, in order to facilitate future service and maintenance.

## AIR

Ensure that the air supply is sufficient for the volume of air required by the pump. Refer to product specifications for further details. For reliable operation, install a 5 micron air filter, air-valve and pressure regulator. Do not exceed the pumps maximum operating pressure of 120 psig.

## REMOTE OPERATION

Utilize a three way solenoid valve for remote operation. This ensures that air between the solenoid and the pump is allowed to “bleed off,” ensuring reliable operation. Liquid transfer volume is estimated by multiplying displacement per stroke times the number of strokes per minute

## NOISE

Correct installation of the muffler reduces sound levels. Refer to product specifications for further details.

## SUBMERGED OPERATION

For submersible operation, pipe the air exhaust to atmosphere

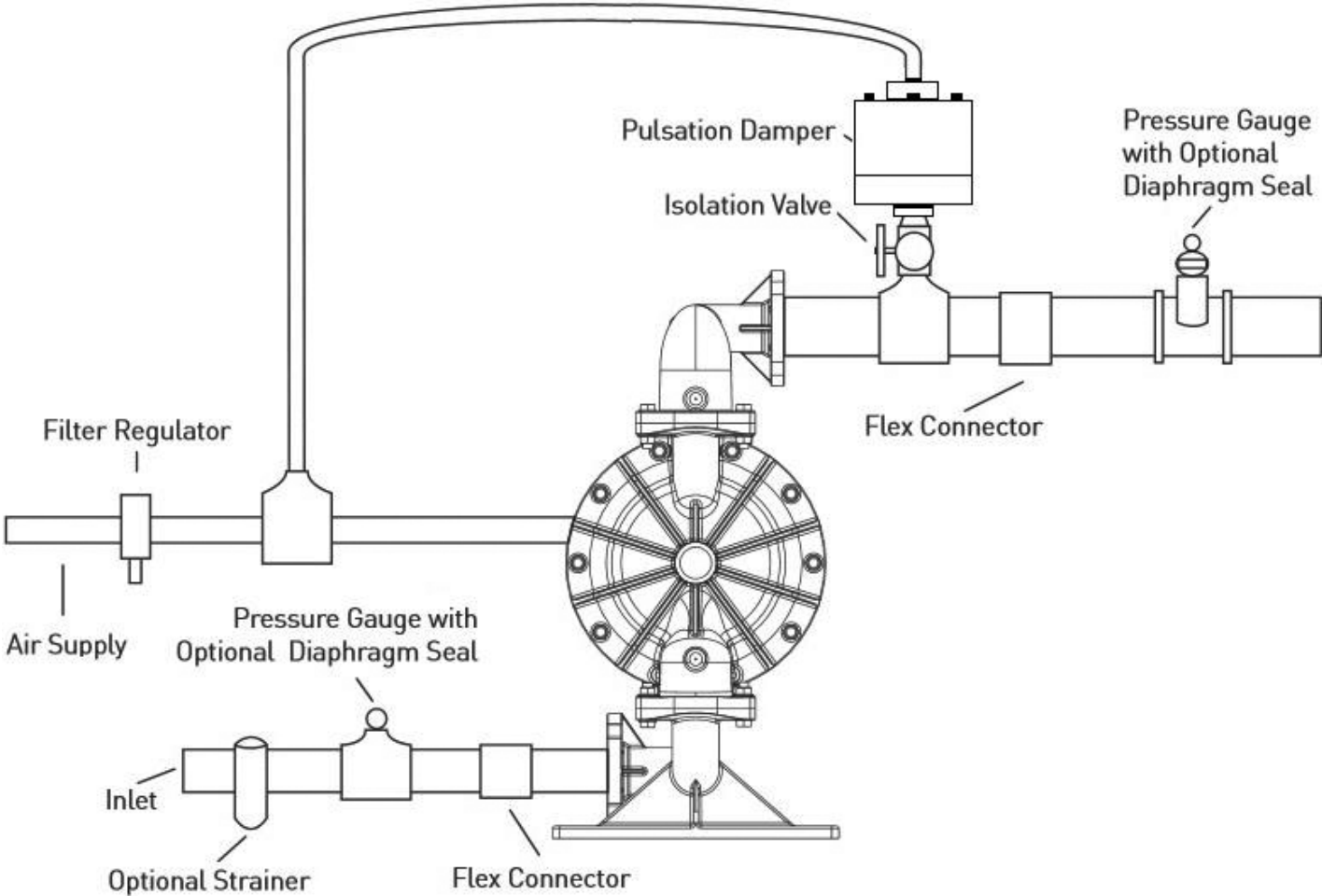
## GROUNDING THE PUMP

Loosen grounding screw and install a grounding wire. Tighten grounding screw. Wire size should be a 12 gauge wire or larger. Connect the other end of the wire to a true earth ground. Equipment must be grounded to achieve ATEX rating and it is recommended to configure the pump with a grounding lug option.





# SUGGESTED INSTALLATION



This illustration is a generic representation of an air operated double-diaphragm pump.

# TROUBLESHOOTING

## PROBLEM

## EFFECT/SOLUTION

### Pump Will Not Cycle

- Discharge line closed or plugged
- Discharge filter blocked
- Check valve stuck
- Air filter blocked
- Air supply valve closed
- Air supply hooked up to muffler side of pump
- Compressor not producing air or turned off
- Muffler iced or blinded
- Diaphragm ruptured
- Plant air supply line ruptured
- Air valve wear/debris
- Pilot sleeve wear/debris
- Diaphragm rod broken
- Diaphragm plate loose

### Pumped Fluid Coming Out of Muffler

- Diaphragm ruptured
- Diaphragm plate loose
- Inlet liquid pressure excessive (above 10 psig)

### Pump Cycles but no Flow

- Inlet strainer clogged
- Suction valve closed
- Suction line plugged
- No liquid in the suction tank
- Suction lift excessive
- Debris stuck in valves
- Excessive wear of check valves
- Air leak on suction side with suction lift

### Pump Cycles with Closed Discharge Valve

- Debris stuck in check valve
- Excessive wear of check valves

### Pump Running Slowly/Not Steady

- Air compressor undersized
- Leak in air supply
- Air-line, filter regulator or needle valve undersized
- Muffler partially iced or blinded
- Air valve gasket leak or misalignment
- Air valve wear/debris
- Pilot sleeve wear/debris
- Liquid fluid filter blocked
- Pump may be cavitating, reduce speed of operation
- Suction strainer clogged

### Pump Will Not Prime

- Air leak in suction pipe
- Air leak in pump manifold connections
- Suction strainer and lines clogged
- Excessive lift conditions
- Check valve wear
- Debris in check valve

## OPERATION

The Air-Operated Double Diaphragm Pump requires a minimum of 20 psig of air to operate, with some variation according to diaphragm material. Increasing the air pressure results in a more rapid cycling of the pump and thus a higher liquid flow rate. In order to not exceed 120 psig of inlet air pressure, and for accurate control of the pump, it is suggested to use a pressure regulator on the air inlet.

An alternate means of controlling the flow-rate of the pump is to use an inlet air valve and partially open or close accordingly. When the air valve is completely in the closed position, the pump will cease to operate.

A third method of controlling the flow rate of the pump is to use a liquid discharge valve. Closing the liquid discharge valve will cause a decrease in the flow rate since the pump will operate against a higher discharge pressure.


Solenoid control of the inlet air may also be used in order to facilitate remote operation. A three way solenoid valve is recommended, in order to allow the air to “bleed off” between the solenoid and the pump.

Do not use valves for flow control on the suction side of the pump. (Closing or partially closing a liquid suction valve restrict the suction line and may cause damage to the diaphragms.) Suction strainers may be employed to reduce or eliminate larger solids, but routine maintenance is necessary in order to prevent a restriction on the suction.

## MAINTENANCE

Due to the unique nature of each application, periodic inspection of the pump is the best method to determine a proper maintenance schedule. A record should be kept of all repairs made to an installed pump. This will serve as the best predictor of future maintenance.

Typical maintenance involves replacing of “wear-parts” such as the diaphragms, balls, valve seats and O-rings. Proper maintenance can ensure trouble-free operation of the pump. Refer to repair and assembly instructions for further details.

 **WARNING** Maintenance must not be performed when a hazardous atmosphere is present.

## MAINTENANCE SCHEDULE

### WEEKLY (OR DAILY)

Make a visual check of the pump. If pumped fluid is leaking out of the pump, pipe fittings or muffler turn off pump and schedule maintenance.

### EVERY THREE MONTHS

Inspect fasteners and tighten any loose fasteners to recommended torque settings.

Schedule pump service based on pump’s service history.

# REPAIR AND ASSEMBLY

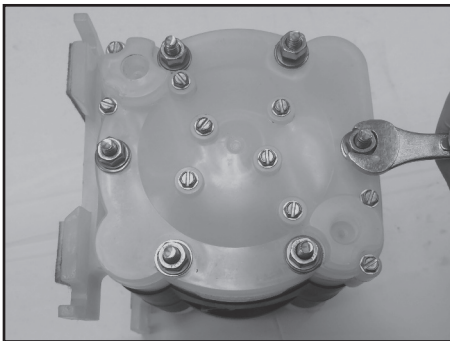
## PUMP WET END REMOVAL

### TOOLS NEEDED

- 1) Two Wrenches,  $\frac{7}{16}$  Inch
- 2) One Screwdriver, Straight Blade
- 3) Two Wrenches,  $\frac{3}{4}$  Inch

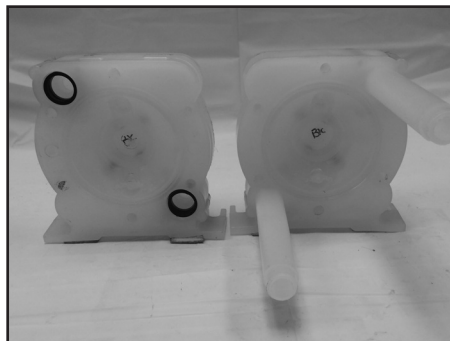
**⚠ WARNING** Prior to servicing the pump, ensure that the air and fluid lines are closed and disconnected. While wearing personal protective equipment, flush, drain and process liquid from the pump in a safe manner.

**⚠ WARNING** Maintenance must not be performed when a hazardous atmosphere is present.



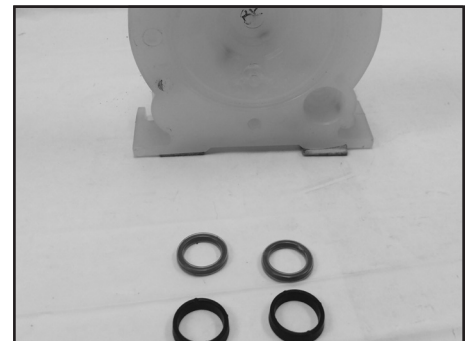
#### STEP 1

Using the  $\frac{7}{16}$  inch wrenches remove six "Hex-Head Cap Screws", six "Tension Washers", twelve "Washers" and six "Nuts" from the "Manifolds". Note the tension washer cup face should face towards the pump.



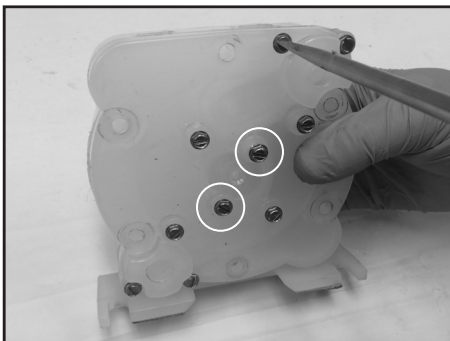
#### STEP 2

Remove the "Left Chamber" and "Right Chamber" from the "Intermediate". Note the "Left Chamber" has the long standoffs.



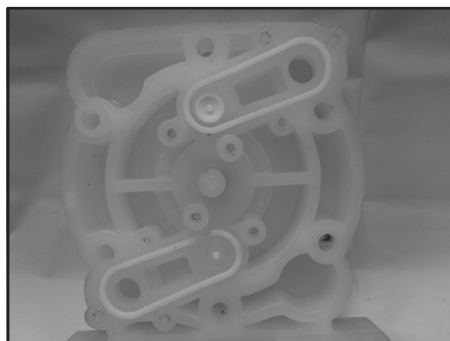
#### STEP 3

Remove the "O-Ring Retainers" and the "O-Rings" from the "Right Chamber".



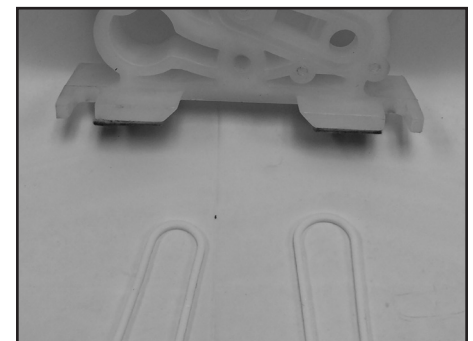
#### STEP 4

Using the straight blade screwdriver (or  $\frac{1}{4}$  socket) remove ten "Screws" from the "Right Manifold". Note the center two "Screws" are longer than the outer six.



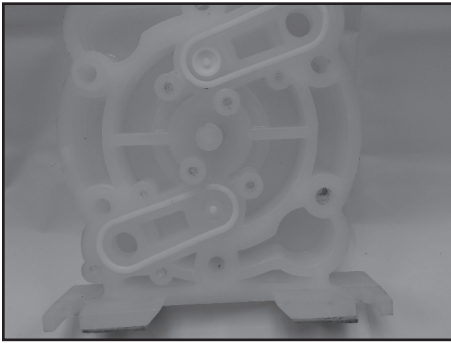
#### STEP 5

Remove the "Right Chamber" from the "Right Manifold". Note the "Right Manifold" does not have any open ports.



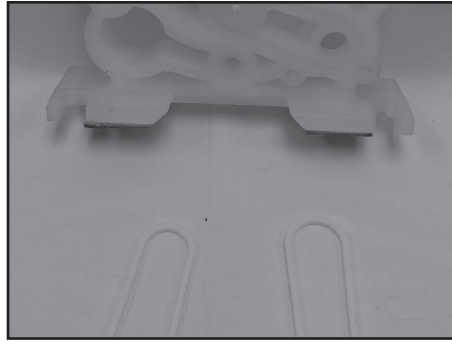
#### STEP 6

Remove the "Manifold Gaskets" from the "Right Chamber".



### STEP 7

Repeat STEP 4 above for the “Left Manifold”, then remove the “Left Chamber” from the “Left Manifold”. Note the “Left Manifold” is the one which contains the open ports.



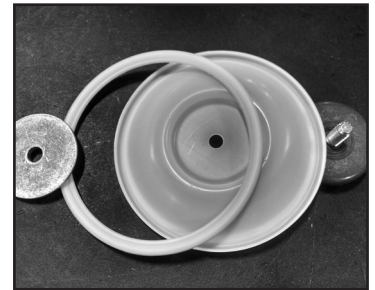
### STEP 8

Remove the “Manifold Gaskets” from the “Left Chamber”. Note the “Left Chamber” has the long standoffs.



### STEP 9

Using two 3/4 Inch wrenches, remove “Outer Diaphragm Plate”, “Diaphragm” and “Inner Diaphragm Plate” from one side of the pump. Note PTFE diaphragms also contain an O-Ring on the “Intermediate” side.



### STEP 10

Placing the 3/4 inch wrench on the remaining “Outer Diaphragm Plate” and the 7/16 inch wrench on the “Diaphragm Rod Assembly”, remove the remaining “Outer Diaphragm Plate”, “Diaphragm” and “Inner Diaphragm Plate” from the other side of the pump. Note PTFE diaphragms also contain an O-Ring on the “Intermediate” side.

## PUMP WET END ASSEMBLY

To assemble the wet end of the pump, reverse the order of disassembly. Ensure all hardware is fastened in accordance with torque specifications (see page 15). Inverting one of the diaphragms during reassembly will facilitate ease of assembly.

# REPAIR AND ASSEMBLY

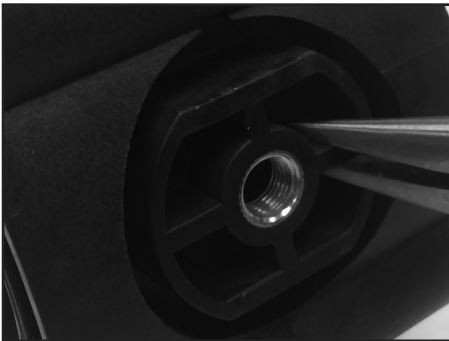
## AIR VALVE REMOVAL

### TOOLS NEEDED

- 1) Two Wrenches, 7/16 Inch
- 2) One Screwdriver, Phillips #2
- 3) One Pair of Pliers

**⚠️ WARNING** Prior to servicing the pump, ensure that the air and fluid lines are closed and disconnected. While wearing personal protective equipment, flush, drain and process liquid from the pump in a safe manner.

**⚠️ WARNING** Maintenance must not be performed when a hazardous atmosphere is present.



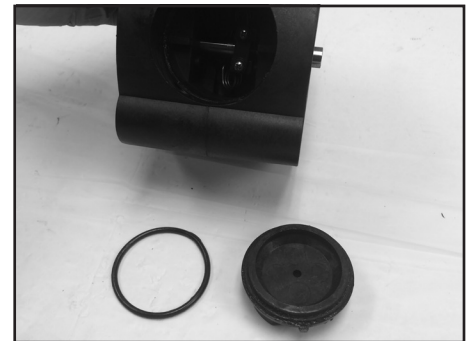
#### STEP 1

Using the pair of pliers, work the "Air Inlet Cap" loose from the "Intermediate".



#### STEP 2

Using the pair of pliers, remove the "Air Inlet Cap" from the "Intermediate". Ensure the "O-Ring" is installed when reassembling.



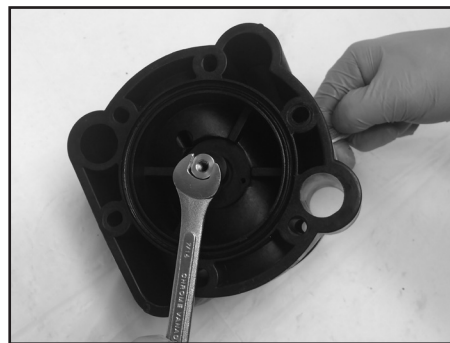
#### STEP 3

Set aside the "Air Inlet Cap" and "O-Ring" from the "Intermediate".



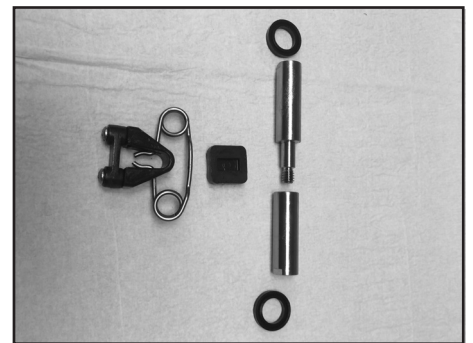
#### STEP 4

Using the screwdriver, remove two "Phillips Pan-Head Screws" in order to remove the "Retaining Plate". Repeat for other side of the pump.



#### STEP 5

Using two 7/16 inch wrenches, disassemble the "Diaphragm Rod Assembly" into its two parts. Note they are installed with thread locker.



#### STEP 6

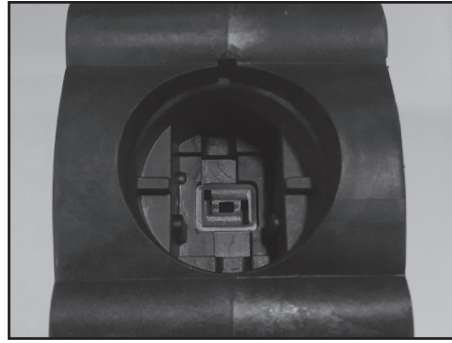
Remove the "Rods" and "Lip Seals" from the "Intermediate". Remove the "Spring Clip Assembly" and "Shuttle" thru the "Air Inlet Cap"





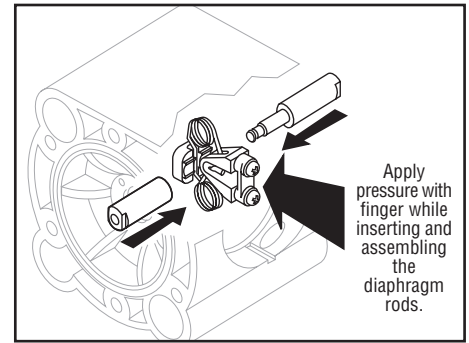
### STEP 7

Note the assembly configuration of the “Rod” and “Spring Clip”. The “Lip Seals” must face inward toward the “Intermediate” for them to properly seal.



### STEP 8

Note the orientation of the “Shuttle” pocket. The areas in the “Intermediate” which accept the “Spring” coils should be greased before reassembly.



### STEP 9

Note on reassembly the “Shuttle” is installed in the “Intermediate” pocket and the “Spring” must ride in the “Shuttle” yolk. The “Rod” must then be threaded thru the “Spring Clip” assembly.

## AIR VALVE ASSEMBLY

To assemble the air valve, reverse the order of disassembly. During assembly, ensure that the open side of the lip-seals are both facing each other inward. Lubrication of the air valve assembly, with a non-synthetic lubricant, is recommended. Magna-Lube or Magna-Plate are recommended for assembly lubrication (see detailed parts list for ordering information).

Note that if the lip-seals are installed incorrectly, they will be unable to rotate.

## TORQUE SPECIFICATION CHART

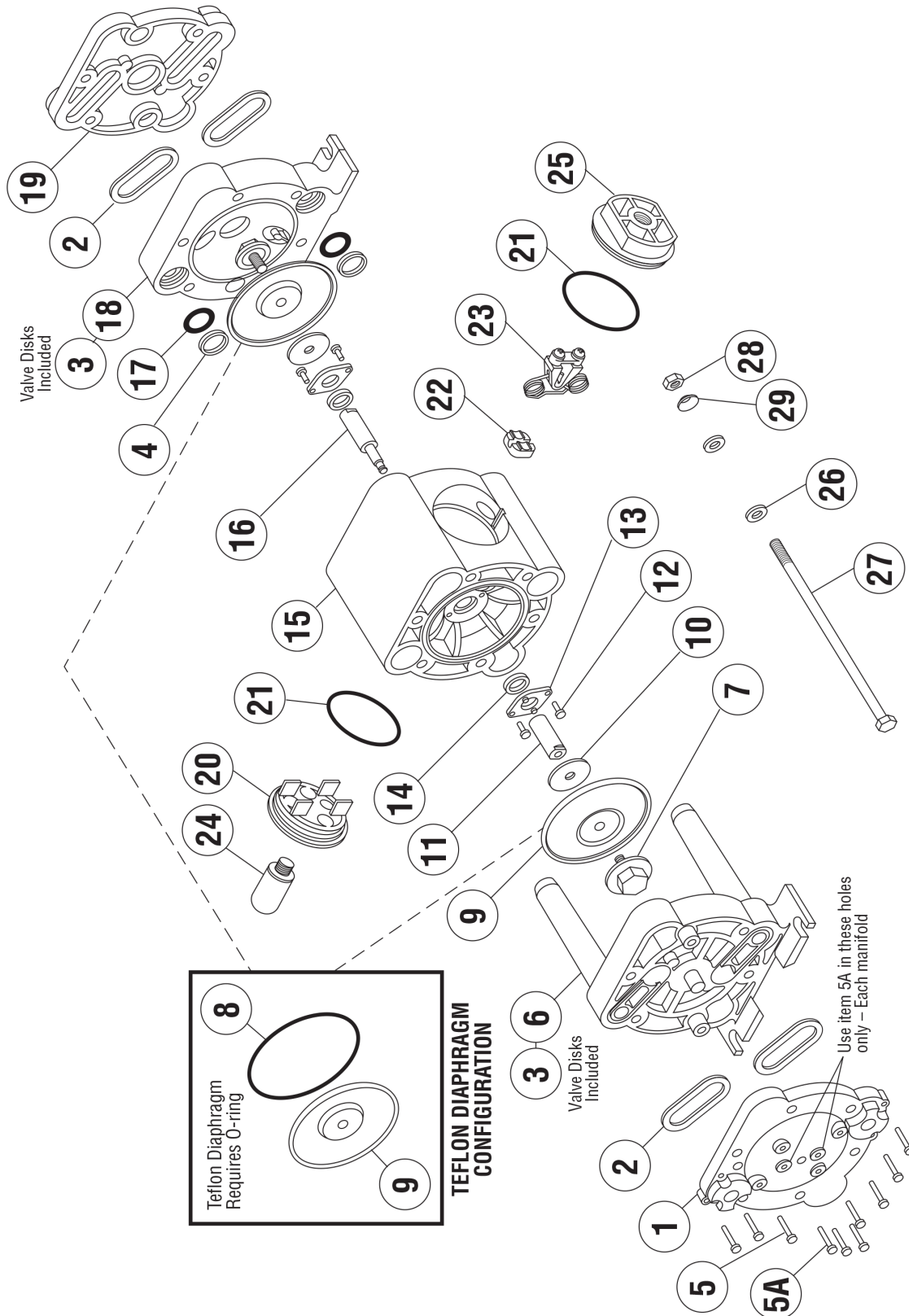
### RECOMMENDED TORQUE SPECIFICATIONS

|                  | 1/4" Pumps           |
|------------------|----------------------|
| Manifold Screws  | 12 in-lbs (1.36 N-m) |
| Chamber Bolts    | 5 ft-lbs (6.8 N-m)   |
| Diaphragm Plates | 40 in-lbs (4.5 N-m)  |

Note: When using pumps built with PTFE O-Rings, always replace with new PTFE O-Rings, since the original O-Rings may not reseal the pump.

# EXPLODED VIEW & PARTS LIST

## A025-SQ\*-\*\*\*\*\*-\*\*\* BOX PLASTIC





# PARTS LIST - BOX PLASTIC

A025-SQ\*-\*\*\*\*-\*\*\*

| ITEM | DESCRIPTION  | QTY | PUMP MODEL                   | PART NO. | MATERIAL         |
|------|--|-----|------------------------------|----------|------------------|
| 1    | LEFT MANIFOLD  | 1   | A025-SQP-****-***            | 10503-40 | Polypropylene    |
|      |  |     | A025-SQY-****-***            | 10503-46 | Conductive Nylon |
|      |  |     | A025-SQK-****-***            | 10503-56 | PVDF             |
| 2    | MANIFOLD, GASKET   | 4   | A025-SQ*-***N-***            | 11936-11 | Nitrile          |
|      |  |     | A025-SQ*-***V-***            | 11936-13 | FKM              |
|      |  |     | A025-SQ*-***E-***            | 11936-15 | EPDM             |
|      |  |     | A025-SQ*-***T-***            | 12111-59 | PTFE             |
| 3    | VALVE DISC<br>(Included in item 6 & 18. Cannot be ordered separately.) | 4   | ALL MODELS                   | 11006-59 | PTFE             |
| 4    | O-RING RETAINER  | 2   | ALL MODELS                   | 12711-60 | Polypropylene    |
| 5    | SCREW (#8 X 1-1/4")  | 16  | ALL MODELS (NON-PTFE COATED) | 12524-26 | Stainless Steel  |
| 5A   | SCREW (#8 X 1")  | 4   | ALL MODELS (NON-PTFE COATED) | 12525-26 | Stainless Steel  |
| 6    | LEFT CHAMBER   | 1   | A025-SQP-****-***            | 10714-40 | Polypropylene    |
|      |  |     | A025-SQY-****-***            | 10714-46 | Conductive Nylon |
|      |  |     | A025-SQK-****-***            | 10714-56 | PVDF             |
| 7    | OUTER DIAPHRAGM PLATE  | 2   | A025-SQP-****-***            | 11205-40 | Polypropylene    |
|      |  |     | A025-SQY-****-***            | 11205-46 | Conductive Nylon |
|      |  |     | A025-SQK-****-***            | 11205-56 | PVDF             |
| 8    | O-RING<br>(Diaphragm, PTFE ONLY)                                       | 2   | A025-SQ*-T***-***            | 10606-23 | Santoprene®      |
| 9    | DIAPHRAGM  | 2   | A025-SQ*-G***-***            | 10604-19 | Geolast®         |
|      |  |     | A025-SQ*-S***-***            | 10604-23 | Santoprene®      |
|      |  |     | A025-SQ*-T***-***            | 10604-59 | PTFE             |
| 10   | INNER DIAPHRAGM PLATE  | 2   | ALL MODELS                   | 11105-25 | Plated Steel     |
| 11   | DIAPHRAGM ROD (Short)  | 1   | ALL MODELS                   | *        | Stainless Steel  |
| 12   | SCREW (#6 X 1/2")  | 4   | ALL MODELS                   | 12510-26 | Stainless Steel  |
| 13   | SEAL RETAINER  | 2   | ALL MODELS                   | 12710-60 | Polypropylene    |
| 14   | LIP SEAL   | 2   | ALL MODELS                   | 12000-76 | Nitrile          |
| 15   | INTERMEDIATE   | 1   | ALL MODELS                   | 11508-60 | Polypropylene    |
| 16   | DIAPHRAGM ROD (Long)   | 1   | ALL MODELS                   | *        | Stainless Steel  |
| 17   | O-RING (Manifold Tube)   | 2   | A025-SQ*-***N-***            | 11928-11 | Nitrile          |
|      |  |     | A025-SQ*-***V-***            | 11928-13 | FKM              |
|      |  |     | A025-SQ*-***E-***            | 11928-15 | EPDM             |
|      |  |     | A025-SQ*-***T-***            | 11928-17 | PTFE             |
| 18   | RIGHT CHAMBER  | 1   | A025-SQP-****-***            | 10715-40 | Polypropylene    |
|      |  |     | A025-SQY-****-***            | 10715-46 | Conductive Nylon |
|      |  |     | A025-SQK-****-***            | 10715-56 | PVDF             |
| 19   | RIGHT MANIFOLD   | 1   | A025-SQP-****-***            | 10513-40 | Polypropylene    |
|      |  |     | A025-SQY-****-***            | 10513-46 | Conductive Nylon |
|      |  |     | A025-SQK-****-***            | 10715-56 | PVDF             |
| 20   | MUFFLER CAP  | 1   | ALL MODELS                   | 13108-60 | Polypropylene    |
| 21   | O-RING (Caps)  | 2   | ALL MODELS                   | 11909-11 | Nitrile          |
| 22   | SHUTTLE  | 1   | ALL MODELS                   | 10411-00 | Special          |
| 23   | SPRING CLIP ASSY   | 1   | ALL MODELS                   | 51000-00 | Various          |
| 24   | MUFFLER  | 1   | ALL MODELS                   | 13003-00 | Special          |
| 25   | AIR INLET CAP  | 1   | ALL MODELS                   | 13109-60 | Polypropylene    |

# PARTS LIST - BOX PLASTIC

## A025-SQ\*-\*\*\*\*-\*\*\*

| ITEM | DESCRIPTION               | QTY | PUMP MODEL                   | PART NO. | MATERIAL        |
|------|---------------------------|-----|------------------------------|----------|-----------------|
| 26   | FLAT WASHER (1/4")        | 12  | ALL MODELS (NON-PTFE COATED) | 12300-26 | Stainless Steel |
| 27   | CAP SCREW (1/4" x 7-5/8") | 6   | ALL MODELS (NON-PTFE COATED) | 12517-26 | Stainless Steel |
| 28   | HEX NUT (1/4" - 20)       | 6   | ALL MODELS (NON-PTFE COATED) | 12600-26 | Stainless Steel |
| 29   | WASHER, TENSION (1/4")    | 6   | ALL MODELS (NON-PTFE COATED) | 12305-26 | Stainless Steel |

\* Any Character

\* NOTE: DIAPHRAGM ROD CAN ONLY BE PURCHASED AS AN ASSEMBLY.

|                        |   |            |          |                 |
|------------------------|---|------------|----------|-----------------|
| DIAPHRAGM ROD ASSEMBLY | 1 | ALL MODELS | 39000-00 | Stainless Steel |
| Items 11 & 16          |   |            |          |                 |

# ELASTOMERS & REPAIR KITS

## WETTED ELASTOMERS

### BUNA-N (NITRILE)

is a general purpose elastomer used with water and many oils. Temperature range 10°F to 180°F (-12°C to 82°C).

### GEOLAST®

is an injection molded thermoplastic material with characteristics similar to Nitrile. Has excellent abrasion resistance. Temperature range 10°F to 180°F (-12°C to 82°C).

### EPDM

is a general purpose elastomer with good resistance to many acids and bases. Temperature range -40°F to 280°F (-40°C to 138°C).

### SANTOPRENE®

is an injection molded material with characteristics similar to EPDM. Has excellent abrasion resistance. Temperature range -40°F to 225°F (-40°C to 107°C).

### FKM

is an elastomer with good corrosion resistance to a wide variety of chemicals. Temperature range -40°F to 350°F (-40°C to 177°C).

### PTFE (POLYTETRAFLUOROETHYLENE)

is a thermoplastic polymer that is inert to most chemicals. Temperature range 40°F to 220°F (4°C to 104°C).

Most of the above elastomers are available in FDA approved formulations.

Geolast® is a registered trademark of ExxonMobil Chemical Co.  
Santoprene® is a registered trademark of ExxonMobil Chemical Co.  
Hytrel® is a registered trademark of DuPont Performance Elastomers L.L.C.  
Magnalube® is a registered trademark of Carleton-Stuart Corp.



II 2 GD c TX

Warning: The TX marking refers to the maximum surface temperature depending not on the equipment itself, but mainly on operating conditions. In this case, the maximum surface temperature depends upon the temperature of the process fluids.

# WARRANTY AND REGISTRATION

**WARRANTY.** All All-Flo products shall be covered by the standard All-Flo Limited Warranty in effect at the time of shipment. This warranty (which may be modified by All-Flo at any time) provides:

MATERIALS SOLD ARE WARRANTED TO THE ORIGINAL USER AGAINST DEFECTS IN WORKMANSHIP OR MATERIALS UNDER NORMAL USE (RENTAL USE EXCLUDED) FOR FIVE YEARS AFTER PURCHASE DATE. ANY PUMP WHICH IS DETERMINED TO BE DEFECTIVE IN MATERIAL AND WORKMANSHIP AND RETURNED TO ALL-FLO, SHIPPING COSTS PREPAID, WILL BE REPAIRED OR REPLACED AT ALL-FLO'S OPTION. CUSTOMER SHALL NOTIFY ALL-FLO IN WRITING WITHIN 30 DAYS OF ANY CLAIMED DEFECTS. NO MATERIALS CAN BE RETURNED WITHOUT THE PRIOR CONSENT OF ALL-FLO, AND IF APPROVED SHALL BE RETURNED TO ALL-FLO FREIGHT PREPAID. ALL-FLO'S LIABILITY FOR ANY BREACH OF THIS WARRANTY SHALL BE LIMITED TO EITHER REPLACEMENT OF THE MATERIALS OR, AT ALL-FLO'S SOLE OPTION, THE REFUND OF THE PURCHASE PRICE. ALL-FLO SHALL NOT BE HELD LIABLE FOR ANY INCIDENTAL OR CONSEQUENTIAL DAMAGES CAUSED BY BREACH OF THIS WARRANTY. THIS EXCLUSION APPLIES WHETHER SUCH DAMAGES WERE SOUGHT BASED ON BREACH OF WARRANTY, BREACH OF CONTRACT, NEGLIGENCE, STRICT LIABILITY IN TORT, OR ANY OTHER LEGAL THEORY. FURTHER, ALL-FLO SHALL NOT BE LIABLE FOR LOSSES, DELAYS, LABOR COSTS, OR ANY OTHER COST OR EXPENSE DIRECTLY OR INDIRECTLY ARISING FROM THE USE OF MATERIALS. ALL-FLO'S LIABILITY IS EXPRESSLY LIMITED TO THE REPLACEMENT OR REPAIR OF DEFECTIVE GOODS, OR THE TOTAL VALUE OF SUCH GOODS. THIS WARRANTY IS IN LIEU OF ALL OTHER WARRANTIES, WHETHER EXPRESS, IMPLIED, OR ORAL INCLUDING THE IMPLIED WARRANTY OF MERCHANTABILITY, ANY IMPLIED WARRANTY OF FITNESS FOR A PARTICULAR PURPOSE, AND ANY IMPLIED WARRANTIES OTHERWISE ARISING FROM A COURSE OF DEALING OR TRADE. All-Flo will not, in ANY event, be liable for any loss of profit, interruption of business or any other special, consequential or incidental damages suffered or sustained by Customer. All-Flo's total maximum liability to the customer in respect of sale of materials or services rendered by All-Flo is limited to the total monies received by All-Flo from the customer for the particular materials described in Customer's order.

All-Flo does not warrant any part or component that it does not manufacture, but will assign to the original end-user purchaser of any warranty received by it from the manufacturer, to extent such pass through is permitted by the manufacturer.



## REGISTRATION FORM

Pump Model \_\_\_\_\_ Pump Serial Number \_\_\_\_\_

Company Name \_\_\_\_\_

Name \_\_\_\_\_ Email \_\_\_\_\_

Phone # \_\_\_\_\_ City \_\_\_\_\_ State \_\_\_\_\_ Zip \_\_\_\_\_

Qty of Pumps \_\_\_\_\_ Fluid Pumping \_\_\_\_\_

How did you hear about us? Existing All-Flo user,  
Web, Distributor, Magazine...

\_\_\_\_\_

**MAIL TO:** All-Flo | Attn: Product Registration  
22069 Van Buren Street, Grand Terrace, CA 92313-5651



Scan QR code and  
complete form  
on mobile phone  
or visit

[www.all-flo.com/registration-form.html](http://www.all-flo.com/registration-form.html)









PSG

22069 Van Buren Street

Grand Terrace, CA 92313-5651 USA

P: +1 (440) 354-1700 F: +1 (440) 354-9466

[all-flo.com](http://all-flo.com)

All-Flo is committed to the pursuit of designing and manufacturing the highest quality product available to industry. Since the beginning in 1986, All-Flo engineers have used their extensive knowledge of today's engineered materials, advanced air system logic and manufacturing techniques to develop the superior group of lube-free, air-operated diaphragm pumps found in this catalog. Every pump is performance engineered and quality built to provide trouble-free service under the toughest conditions.



Where Innovation Flows